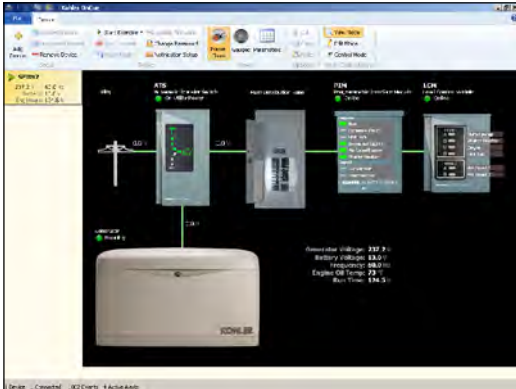


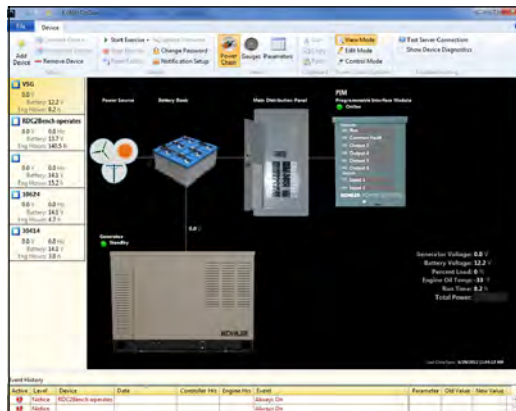
# Residential/Light Commercial Generator Accessories

## KOHLER Power Systems

## Kohler® OnCue® Generator Management System Software



OnCue® User Interface - Power Chain View for RDC2



OnCue® User Interface - Power Chain View for VSC



OnCue® User Interface - Gauges View

### Applicable Models

- VSC Controller
  - 6VSG variable-speed DC generator set
- RDC2 or DC2 Controller
  - 14/20RESA generator sets
  - 14/20RESAL generator sets
  - 38RCL generator set
  - 48RCL generator set
- RDC or DC Controller
  - 14/20RES generator sets
  - 14/20RESL generator sets

### OnCue® Features

- Power Chain View monitors your Kohler® generator set, RXT automatic transfer switch\*, Load Control Module (LCM)\*, and Programmable Interface Module (PIM)† from any location in the world with Internet access.
- Control home automation when generator set is paired with a Programmable Interface Module (PIM)†. Remotely turn on or off appliances, outdoor lighting, storm shutters, etc.
- RDC2/DC2 and VSC controllers have built-in Ethernet capability.
- Receive generator set start/stop and fault messages by email or SMS text message. Kohler® OnCue® server sends email and text messages anytime, without requiring your computer to be turned on.
- Install OnCue® software on one or more personal computers.
- Monitor multiple generator sets. Navigation panel displays status information for multiple generator systems and allows easy selection of one generator set for detailed monitoring and control.
- Start exercises from your computer.
- Stop the generator set exercise and clear faults from your computer.
- View time- and date-stamped event history listing generator set starting and stopping, faults, and notifications.
- Simple connection and setup – just enter generator set serial number, controller password, and activation code (if required). No router setup is required.
- Controller password and generator set serial number protect against access by unauthorized users.
- All Ethernet communication is fully authenticated and encrypted for privacy.

\* Model RXT ATS and LCM can be used with generator sets equipped with the RDC2 or DC2 controller.

† PIM can be used with generator sets equipped with the VSC, RDC2, or DC2 controller.

---

## View System Operation Data

### Generator Set with RDC, DC, RDC2, or DC2 Controllers

- Generator set running or stopped
- Generator output frequency, Hz
- Generator output voltage, VAC
- Engine speed, RPM
- Engine starting battery voltage, VDC
- Engine run time, hours
- Fault indication with description
- Generator operation event history
- Status information for multiple generator sets displayed in the navigation panel

### Generator Set with VSC Controller

- Generator set running or stopped
- % load
- Generator output DC voltage, VDC
- Engine speed, RPM
- Engine starting battery voltage, VDC
- Engine run time, hours
- Fault indication with description
- Generator operation event history
- Status information for multiple generator sets displayed in the navigation panel

### ATS (RXT only)\*

- Source availability
- ATS position

### Load Control Module (LCM)\*

- View current loads and shed loads
- Dual color LEDs for each load indicate load status (powered or shed) and flash to indicate a test
- Change load labels to identify which loads are powered and shed
- See G6-120 for more information

### Programmable Interface Module (PIM)†

- View relay status
- Green/gray LEDs to indicate on/off
- Change input and output labels
- See G6-121 for more information

### 6VSG Communications Kit

- View input and output status
- Green/gray LEDs to indicate on/off

## Remote Control/Home Automation

### Generator Set

- Start/Stop exercises remotely
- Clear or reset faults remotely

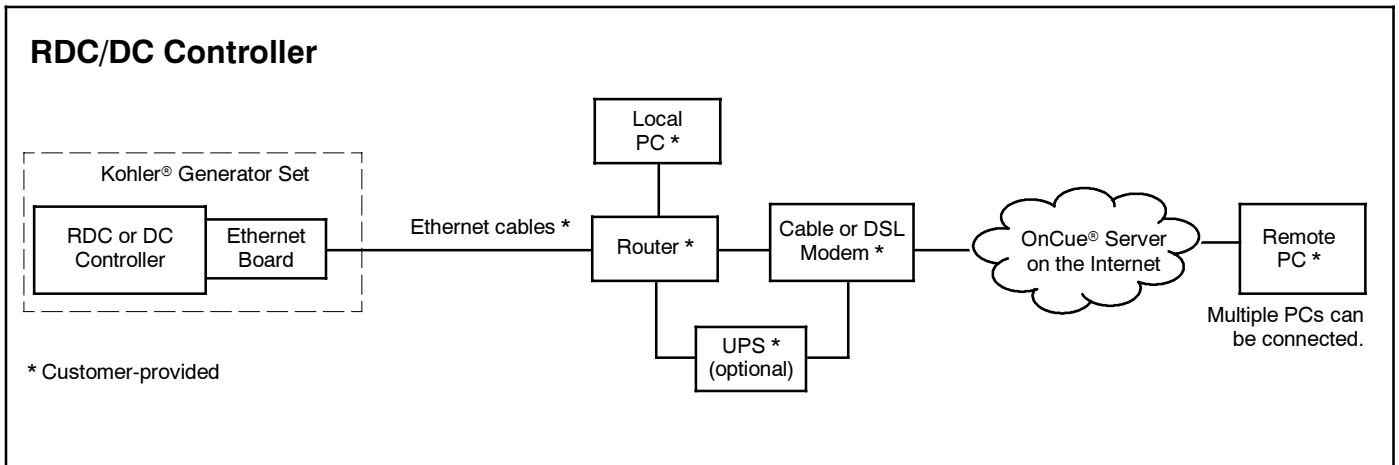
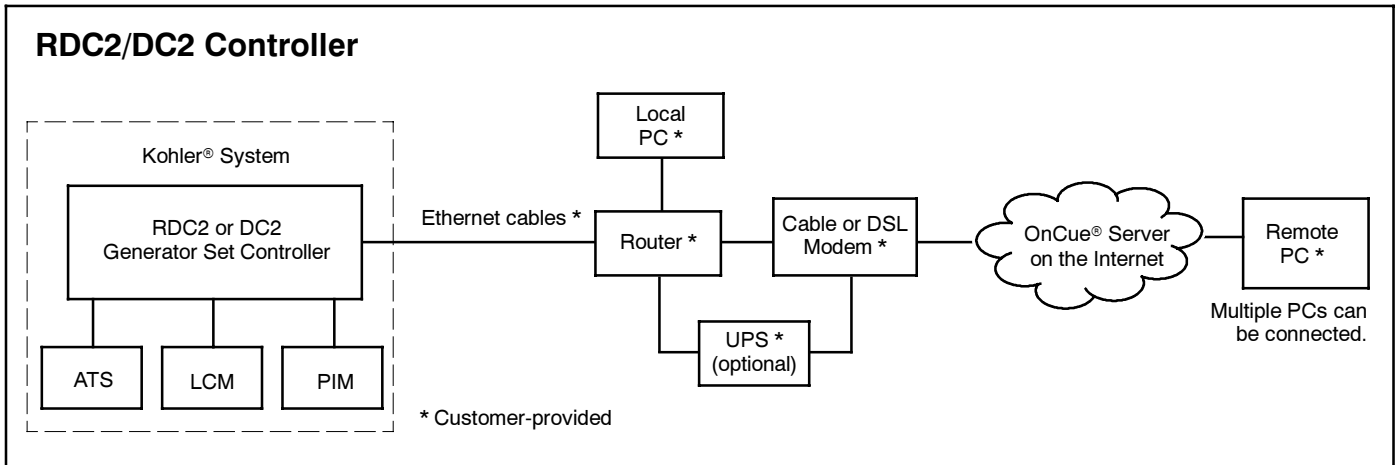
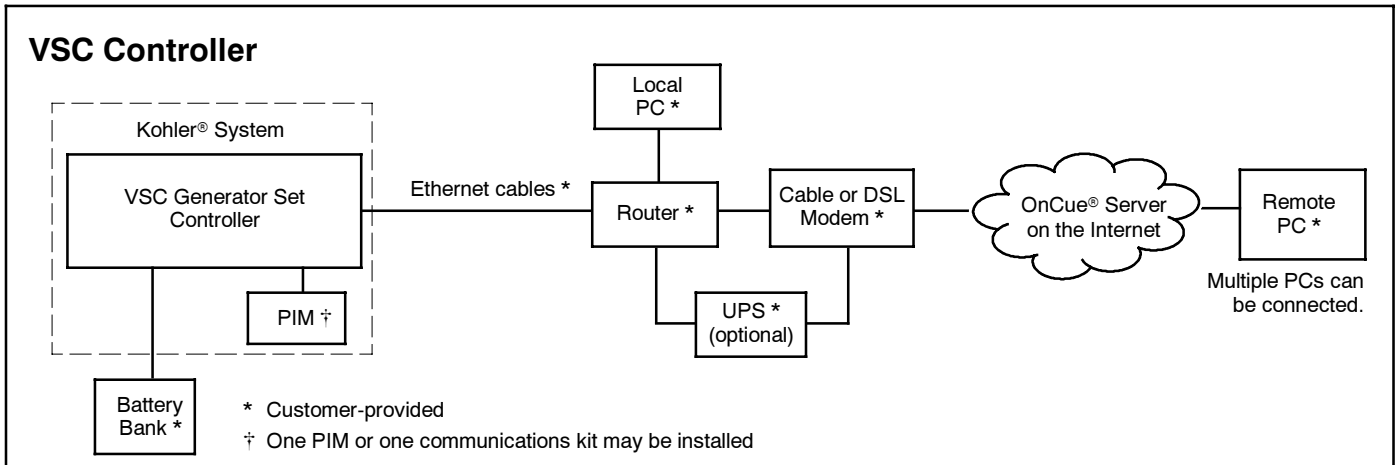
### Programmable Interface Module (PIM)†

- Turn relays on and off remotely to control appliances, outdoor lighting, storm shutters, etc.

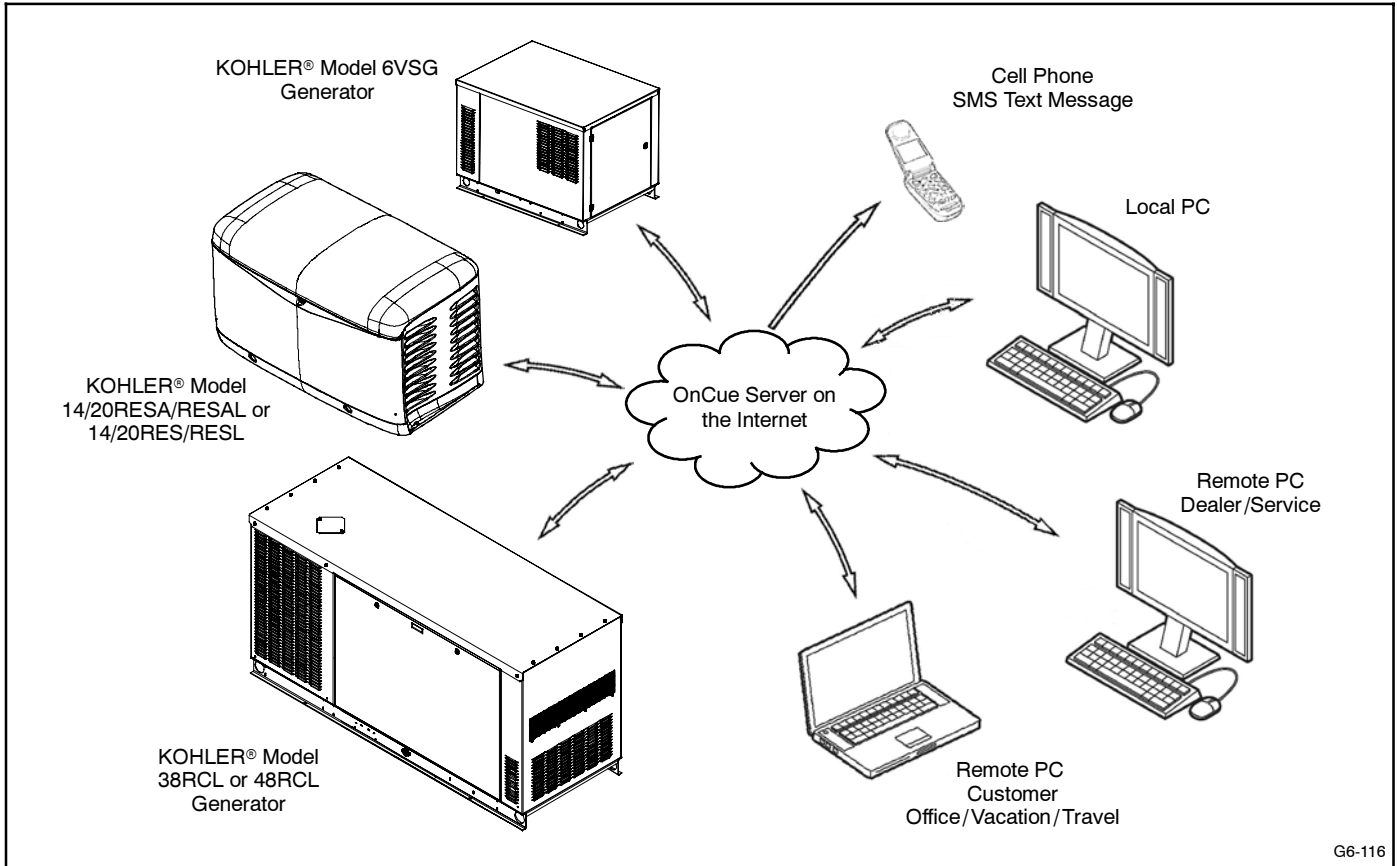
\* Model RXT ATS and LCM can be used with generator sets equipped with the RDC2 or DC2 controller.

† PIM can be used with generator sets equipped with the VSC, RDC2, or DC2 controller.

# Typical Connections

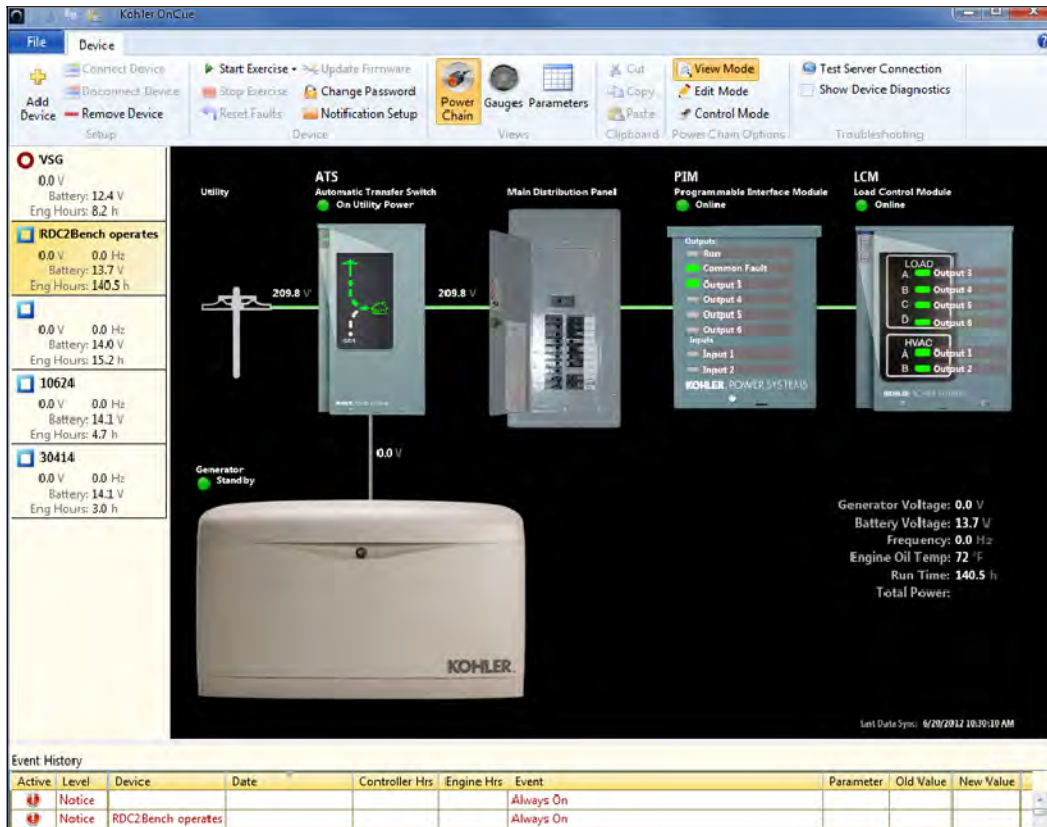


# OnCue® System

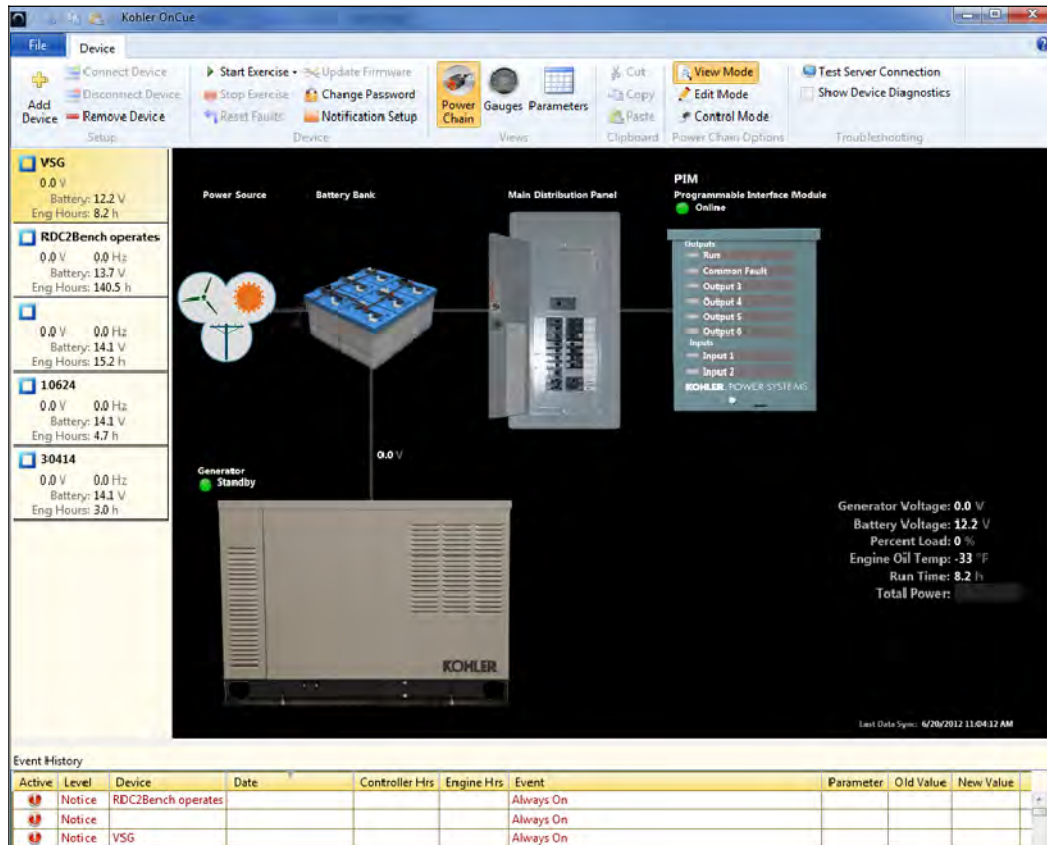


G6-116

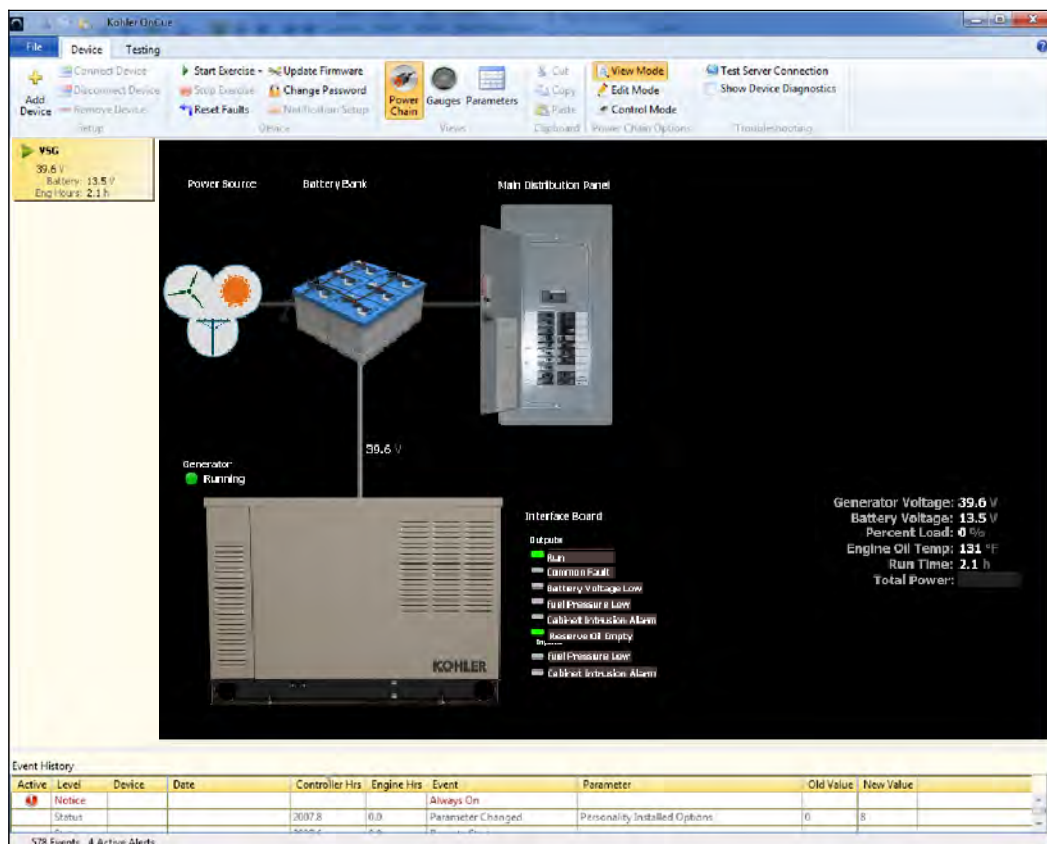
## Power Chain View, RDC2/DC2 Controller



## Power Chain View, VSC Controller



## Power Chain View, VSC Controller with Communications Kit



## System Requirements

- OnCue® software  
 (download from [www.KOHLERPower.com/OnCue](http://www.KOHLERPower.com/OnCue))
- Personal computer (PC) with Microsoft® Windows® 7, Windows® 8, Windows Vista®, or Windows XP®
- 1 GB of RAM
- Up to 500 MB of available hard disk space may be required
- Always-on Internet access (for example, cable, DSL, or phone line modem connected 24 hours)
- Internet router and network cable for connection to Ethernet
- Uninterruptible power supply (UPS) for modem and router (optional)

Microsoft® Windows®, Windows XP®, and Windows Vista® are registered trademarks of Microsoft Corporation.

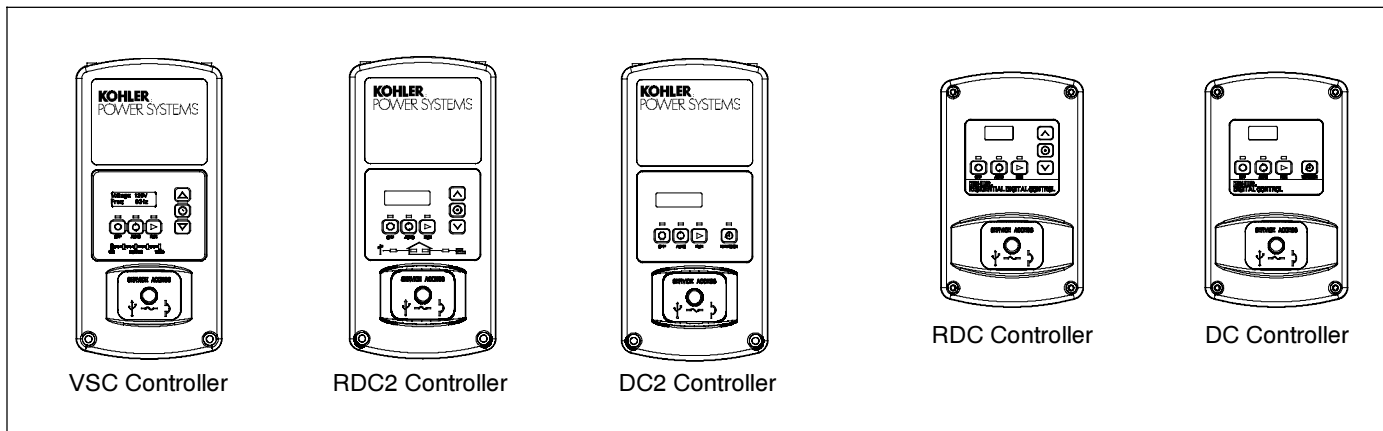
## Ethernet Option Board Specifications (RDC/DC controller only)

- Environmental specifications:
  - Operating temperature: -30°C to 70°C (-22°F to 158°F)
  - Storage temperature: -40°C to 85°C (-40°F to 185°F)
  - Humidity: 5-95% non-condensing
- Standard RJ45 jack for network connection
- Standard 10/100 Ethernet

## OnCue® System Kits

- RDC2/DC2/VSC controller
  - Activation code decal
  - Ethernet connector
  - Operation manual
- RDC/DC controller
  - OnCue Ethernet option board
  - Installation instructions
  - Operation manual

## Controllers



**DISTRIBUTED BY:**

Availability is subject to change without notice. Kohler Co. reserves the right to change the design or specifications without notice and without any obligation or liability whatsoever. Contact your local Kohler® generator distributor for availability.